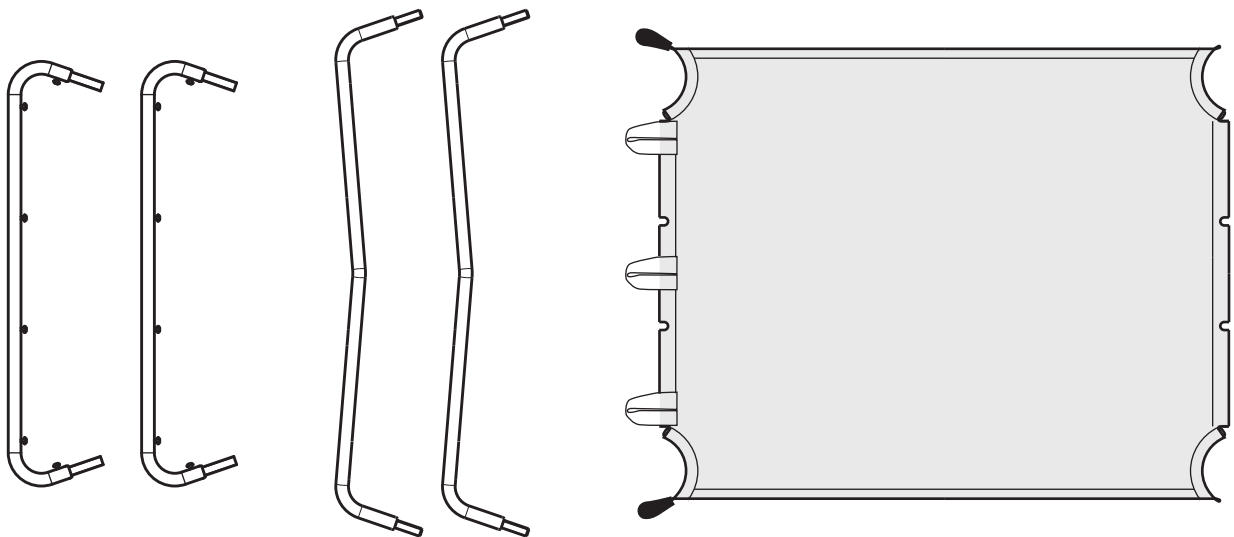
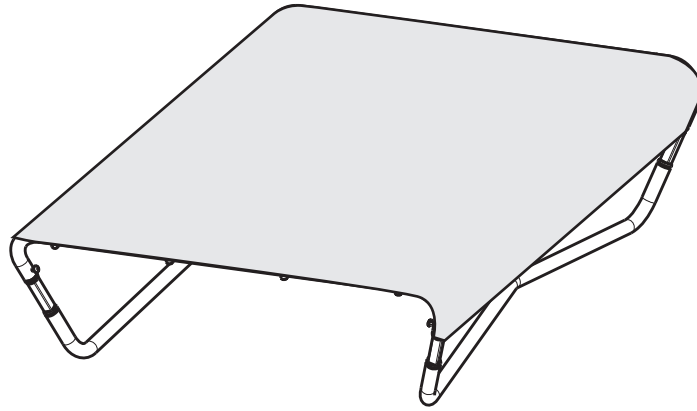


Dogtired

The ultimate dogbed

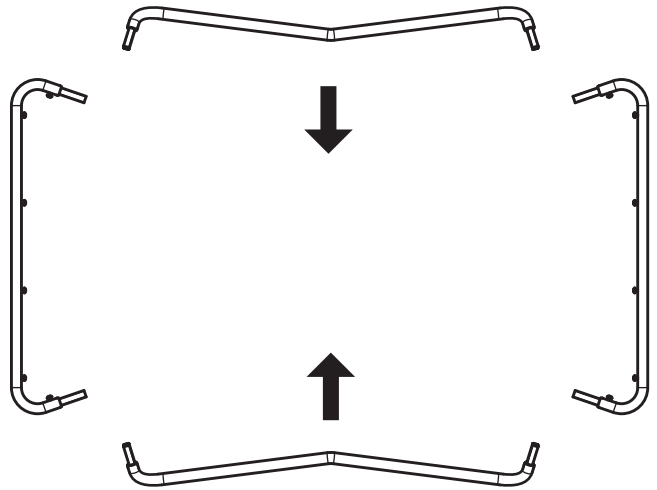


1. Remove frame from the box (two top poles, two base poles and the fabric cover) and unwrap the cover.

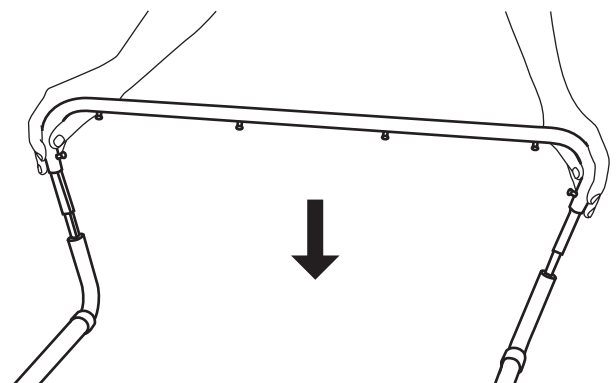
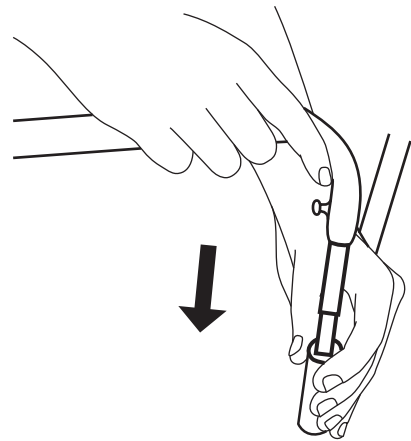
Dogtired

The ultimate dogbed

2. Lay the frame on a flat surface (ensure the bends in the two base poles are pointing inwards).



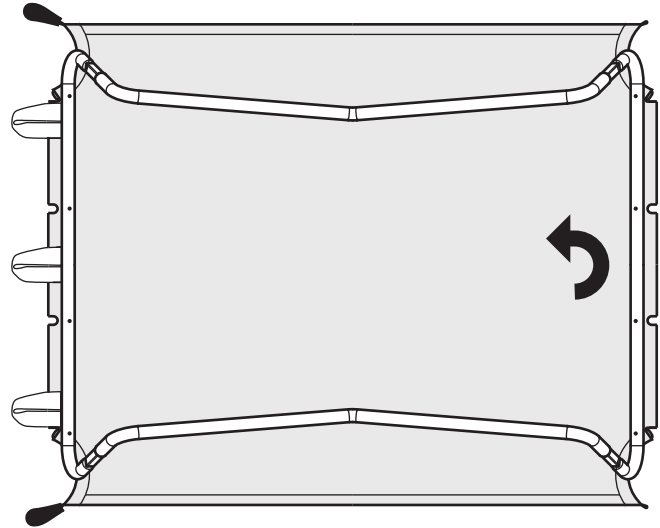
3. Connect the poles by joining the ends, the top poles over the base poles. If the top poles do not slide on easily, shift the base poles individually to assist connecting.



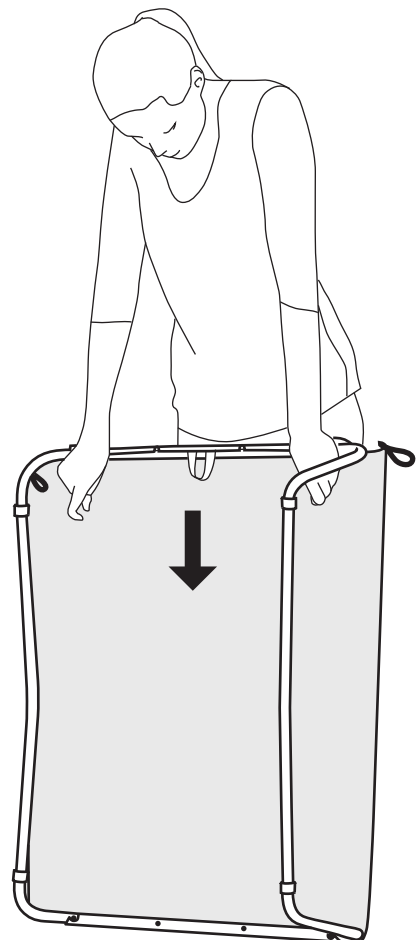
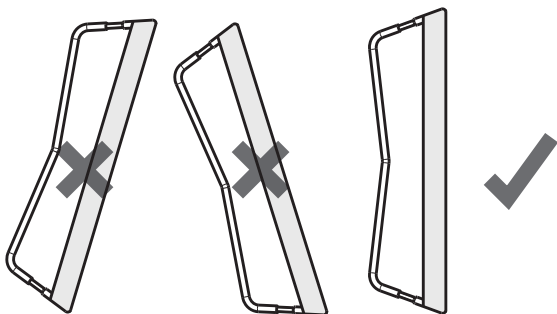
Dogtired

The ultimate dogbed

4. Lay the completed frame upside down (the rubber feet will be topside) on the fabric cover (with the covers tabs facing up). Hook the cover over the studs using the internal rod. Following the rod, hook the two side loops onto the end studs and the two corner loops onto the outermost studs, this will hold one end of the cover in place.



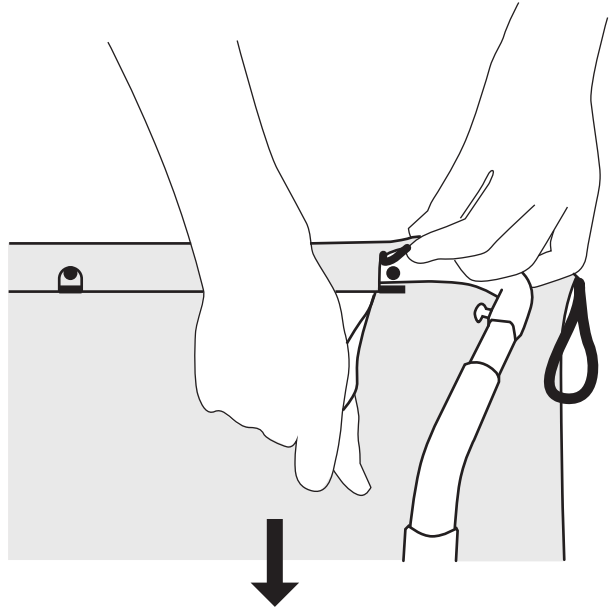
5. Whilst holding the cover and frame together, stand the assembly in a vertical position. Do not angle the bed. Use your body weight and the red tabs to pull the cover over the studs. Ensure the rod is correctly hooked over each stud.



Dogtired

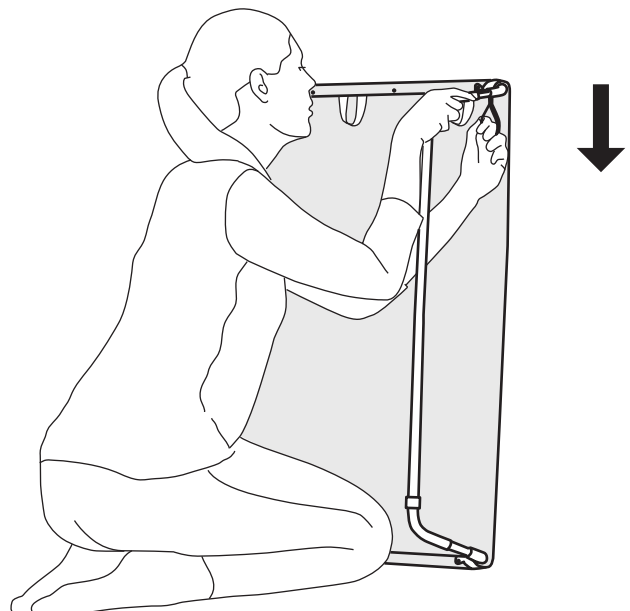
The ultimate dogbed

6. Hook the loops over the end studs.



7. Move to the other side of the frame and pull the final two corner loops on with the tabs provided.

We recommend using two fingers when pulling the final two corner loops over the frame.



The bed is ready to use, for an assembly video demonstration please go to:
www.dogtired.com.au